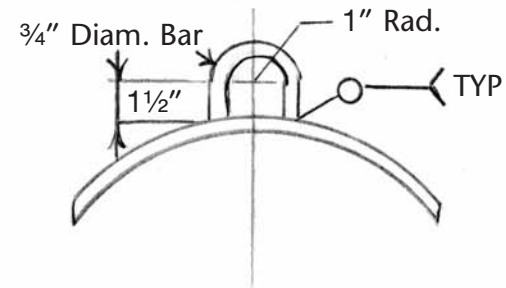
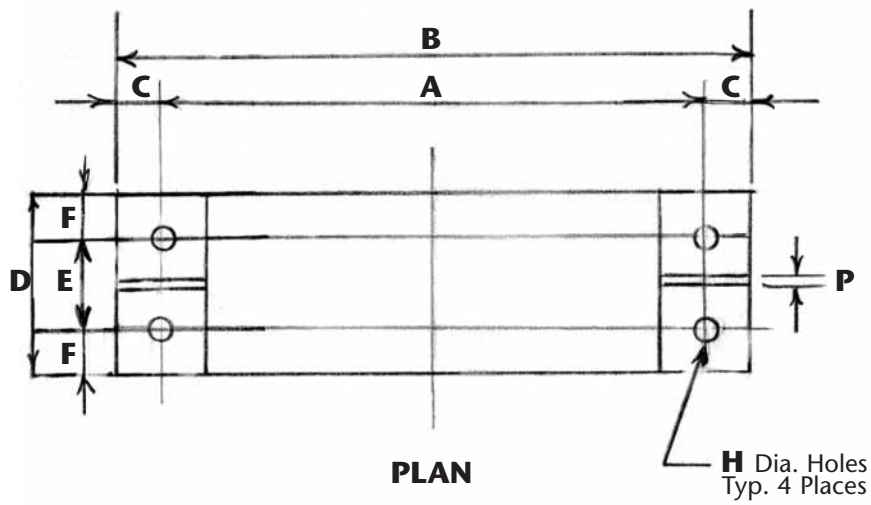
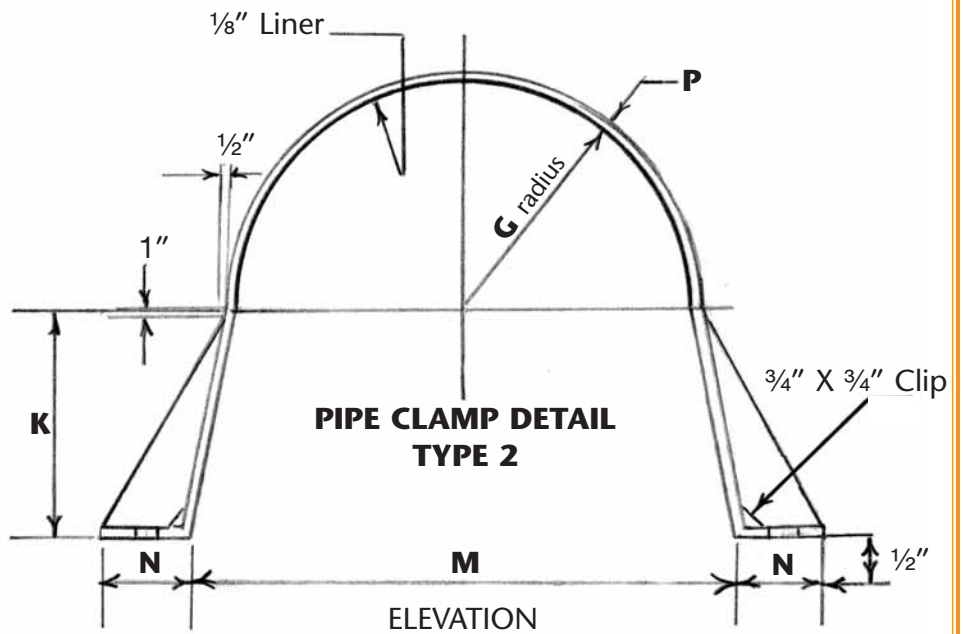
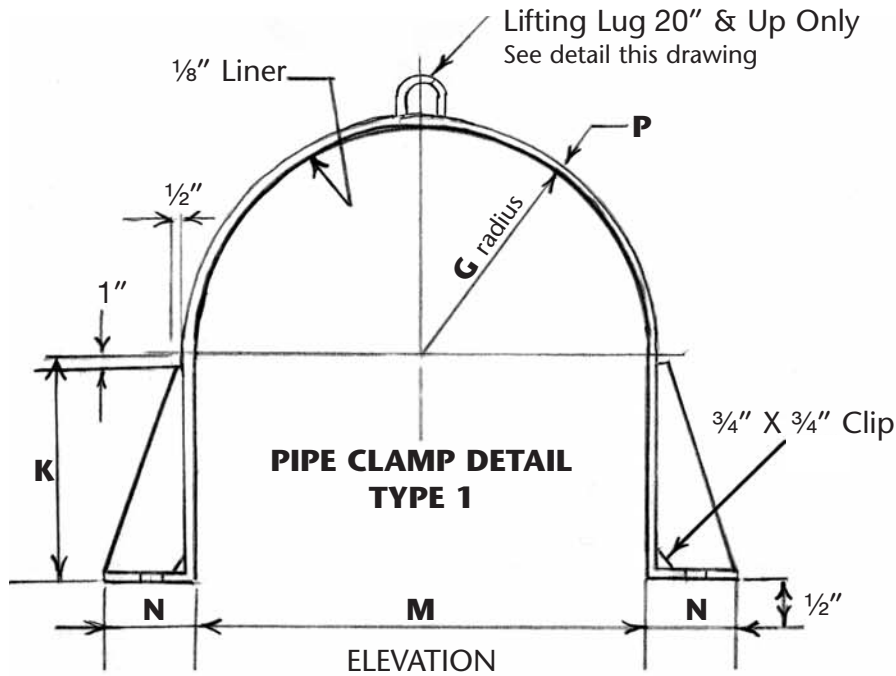


# PIPE CLAMP SCHEDULE

| Pipe Size | Clamp | A          | B          | C      | D   | E      | F      | G         | H      | K         | M          | N      | P    |
|-----------|-------|------------|------------|--------|-----|--------|--------|-----------|--------|-----------|------------|--------|------|
| 4 1/2"    | 2     | 11"        | 1'-1 1/2"  | 1 1/4" | 3"  | -      | 1 1/2" | 2 3/8"    | 7/8"   | 3 5/8"    | 8"         | 2 3/4" | 3/8" |
| 6 5/8"    | 2     | 1'-3"      | 1'-6"      | 1 1/2" | 3"  | -      | 1 1/2" | 3 7/16"   | 1"     | 5"        | 12"        | 3"     | 3/8" |
| 8 5/8"    | 2     | 1'-3"      | 1'-6"      | 1 1/2" | 6"  | 3 1/2" | 1 1/4" | 4 7/16"   | 1"     | 6 1/16"   | 11 5/8"    | 3 1/4" | 3/8" |
| 10 3/4"   | 1     | 1'-3 1/2"  | 1'-6 1/2"  | 1 1/2" | 6"  | 3 1/2" | 1 1/4" | 5 1/2"    | 1 1/8" | 7 5/16"   | 11"        | 3 3/4" | 3/8" |
| 12 3/4"   | 2     | 1'-8 1/2"  | 1'-11 1/2" | 1 1/2" | 6"  | 3 1/2" | 1 1/4" | 6 1/2"    | 1 1/8" | 8 1/2"    | 1'-4"      | 3 3/4" | 1/2" |
| 14"       | 2     | 1'-11 1/2" | 2'-2 1/2"  | 1 1/2" | 6"  | 3 1/2" | 1 1/4" | 7 1/8"    | 1 1/8" | 10 1/2"   | 1'-7 1/2"  | 3 1/2" | 1/2" |
| 16"       | 2     | 2'-0"      | 2'-3"      | 1 1/2" | 8"  | 4"     | 2"     | 8 1/8"    | 1 1/8" | 11 1/2"   | 1'-8"      | 3 1/2" | 1/2" |
| 18"       | 1     | 1'-11"     | 2'-2"      | 1 1/2" | 8"  | 4"     | 2"     | 9 1/8"    | 1 1/8" | 1'-0 1/2" | 1'-6 1/4"  | 3 7/8" | 1/2" |
| 20"       | 1     | 2'-1"      | 2'-4"      | 1 1/2" | 8"  | 4"     | 2"     | 10 1/8"   | 1 1/8" | 1'-1 1/2" | 1'-8 1/4"  | 3 7/8" | 1/2" |
| 22"       | 1     | 2'-3"      | 2'-6"      | 1 1/2" | 8"  | 4"     | 2"     | 11 1/8"   | 1 1/8" | 1'-2 1/2" | 1'-10 1/4" | 3 7/8" | 1/2" |
| 24"       | 1     | 2'-5"      | 2'-9"      | 2"     | 8"  | 4"     | 2"     | 1'-0 1/8" | 1 1/4" | 1'-3 1/2" | 2'-0 1/4"  | 4 3/8" | 3/4" |
| 26"       | 1     | 2'-7"      | 2'-11"     | 2"     | 8"  | 4"     | 2"     | 1'-1 1/8" | 1 1/4" | 1'-4 1/2" | 2'-2 1/4"  | 4 3/8" | 3/4" |
| 28"       | 1     | 2'-9"      | 3'-1"      | 2"     | 8"  | 4"     | 2"     | 1'-2 1/8" | 1 1/4" | 1'-5 1/2" | 2'-4 1/4"  | 4 3/8" | 3/4" |
| 30"       | 1     | 2'-11"     | 3'-3"      | 2"     | 10" | 7"     | 1 1/2" | 1'-3 1/8" | 1 1/4" | 1'-6 1/2" | 2'-6 1/4"  | 4 3/8" | 3/4" |
| 32"       | 1     | 3'-1"      | 3'-5"      | 2"     | 10" | 7"     | 1 1/2" | 1'-4 1/8" | 1 1/4" | 1'-7 1/2" | 2'-8 1/4"  | 4 3/8" | 3/4" |
| 34"       | 1     | 3'-3"      | 3'-7"      | 2"     | 10" | 7"     | 1 1/2" | 1'-5 1/8" | 1 1/4" | 1'-8 1/2" | 2'-10 1/4" | 4 3/8" | 3/4" |
| 36"       | 1     | 3'-5"      | 3'-9"      | 2"     | 10" | 7"     | 1 1/2" | 1'-6 1/8" | 1 1/4" | 1'-9 1/2" | 3'-0 1/4"  | 4 3/8" | 3/4" |



**LIFTING LUG DETAIL**  
Lifting Lug 20" & Up Only  
See detail this drawing

Refer to page one for Pipe Clamp Schedule

# SKETCHES

