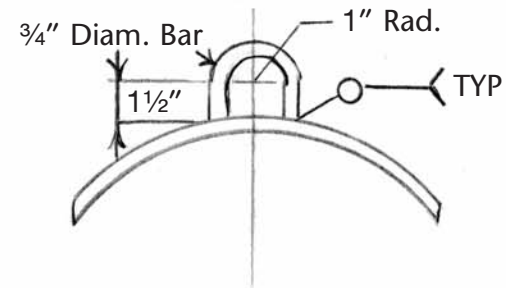
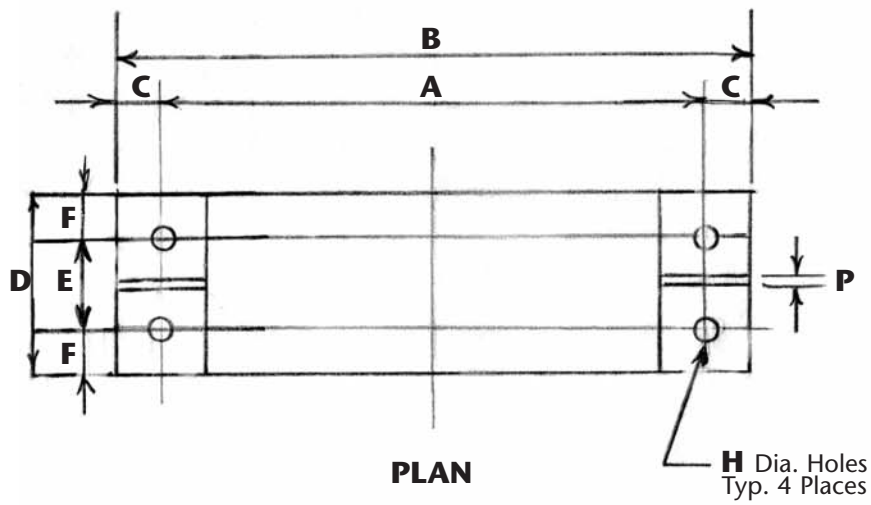
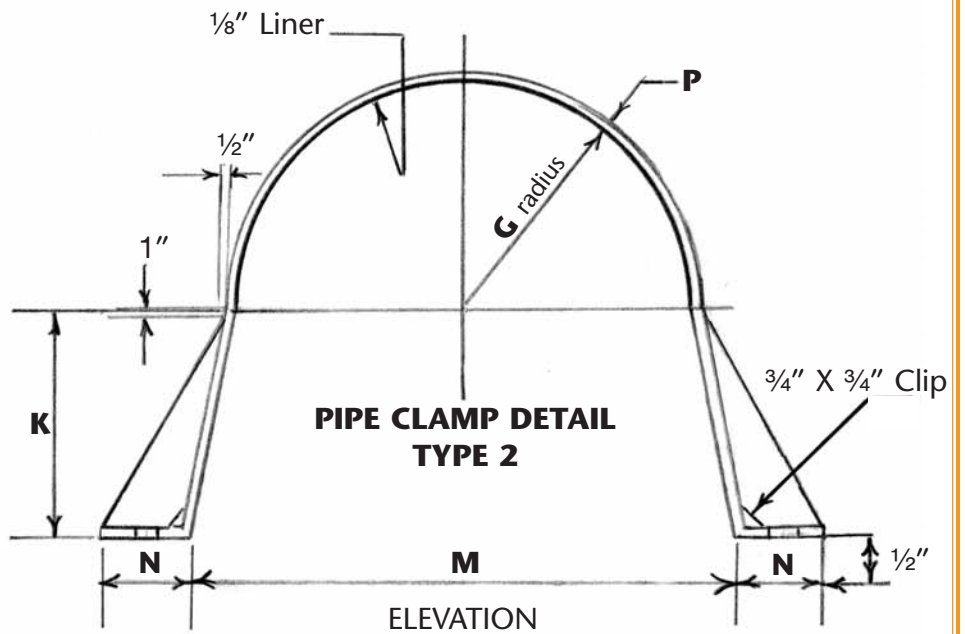
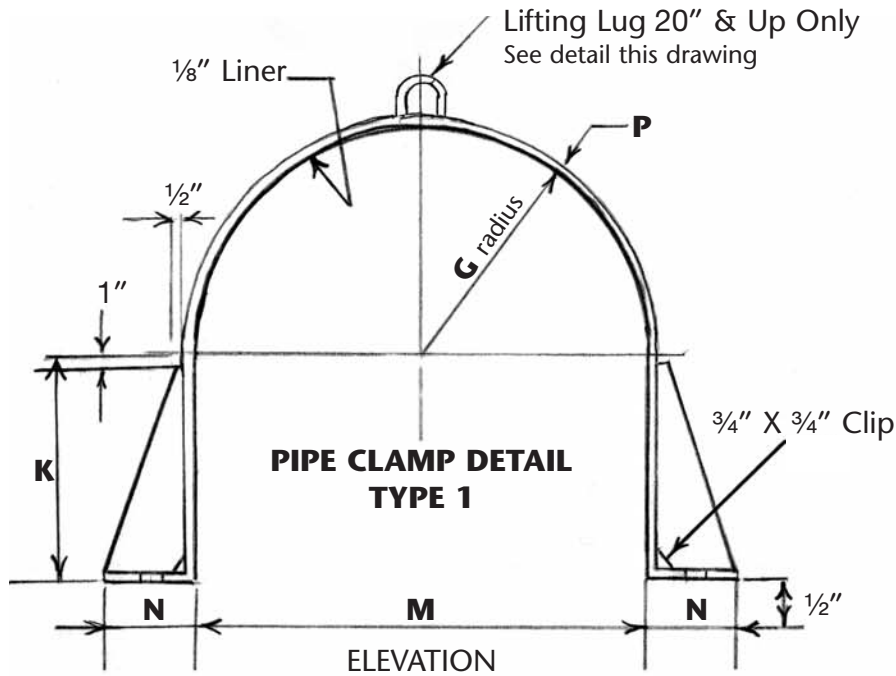


PIPE CLAMP SCHEDULE

Pipe Size	Clamp	A	B	C	D	E	F	G	H	K	M	N	P
4 1/2"	2	11"	1'-1 1/2"	1 1/4"	3"	-	1 1/2"	2 3/8"	7/8"	3 5/8"	8"	2 3/4"	3/8"
6 5/8"	2	1'-3"	1'-6"	1 1/2"	3"	-	1 1/2"	3 7/16"	1"	5"	12"	3"	3/8"
8 5/8"	2	1'-3"	1'-6"	1 1/2"	6"	3 1/2"	1 1/4"	4 7/16"	1"	6 1/16"	11 5/8"	3 1/4"	3/8"
10 3/4"	1	1'-3 1/2"	1'-6 1/2"	1 1/2"	6"	3 1/2"	1 1/4"	5 1/2"	1 1/8"	7 5/16"	11"	3 3/4"	3/8"
12 3/4"	2	1'-8 1/2"	1'-11 1/2"	1 1/2"	6"	3 1/2"	1 1/4"	6 1/2"	1 1/8"	8 1/2"	1'-4"	3 3/4"	1/2"
14"	2	1'-11 1/2"	2'-2 1/2"	1 1/2"	6"	3 1/2"	1 1/4"	7 1/8"	1 1/8"	10 1/2"	1'-7 1/2"	3 1/2"	1/2"
16"	2	2'-0"	2'-3"	1 1/2"	8"	4"	2"	8 1/8"	1 1/8"	11 1/2"	1'-8"	3 1/2"	1/2"
18"	1	1'-11"	2'-2"	1 1/2"	8"	4"	2"	9 1/8"	1 1/8"	1'-0 1/2"	1'-6 1/4"	3 7/8"	1/2"
20"	1	2'-1"	2'-4"	1 1/2"	8"	4"	2"	10 1/8"	1 1/8"	1'-1 1/2"	1'-8 1/4"	3 7/8"	1/2"
22"	1	2'-3"	2'-6"	1 1/2"	8"	4"	2"	11 1/8"	1 1/8"	1'-2 1/2"	1'-10 1/4"	3 7/8"	1/2"
24"	1	2'-5"	2'-9"	2"	8"	4"	2"	1'-0 1/8"	1 1/4"	1'-3 1/2"	2'-0 1/4"	4 3/8"	3/4"
26"	1	2'-7"	2'-11"	2"	8"	4"	2"	1'-1 1/8"	1 1/4"	1'-4 1/2"	2'-2 1/4"	4 3/8"	3/4"
28"	1	2'-9"	3'-1"	2"	8"	4"	2"	1'-2 1/8"	1 1/4"	1'-5 1/2"	2'-4 1/4"	4 3/8"	3/4"
30"	1	2'-11"	3'-3"	2"	10"	7"	1 1/2"	1'-3 1/8"	1 1/4"	1'-6 1/2"	2'-6 1/4"	4 3/8"	3/4"
32"	1	3'-1"	3'-5"	2"	10"	7"	1 1/2"	1'-4 1/8"	1 1/4"	1'-7 1/2"	2'-8 1/4"	4 3/8"	3/4"
34"	1	3'-3"	3'-7"	2"	10"	7"	1 1/2"	1'-5 1/8"	1 1/4"	1'-8 1/2"	2'-10 1/4"	4 3/8"	3/4"
36"	1	3'-5"	3'-9"	2"	10"	7"	1 1/2"	1'-6 1/8"	1 1/4"	1'-9 1/2"	3'-0 1/4"	4 3/8"	3/4"



LIFTING LUG DETAIL
Lifting Lug 20" & Up Only
See detail this drawing

Refer to page one for Pipe Clamp Schedule

SKETCHES

